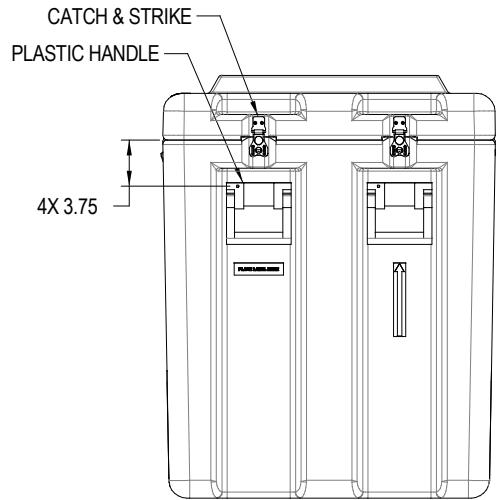
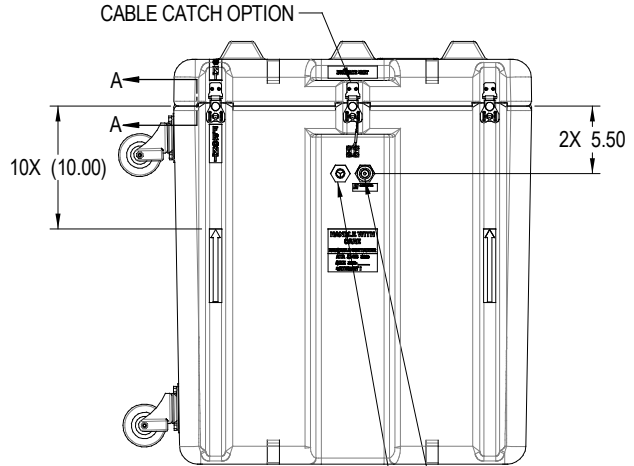
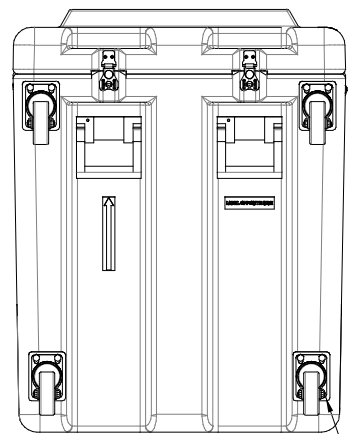
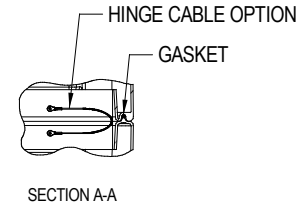
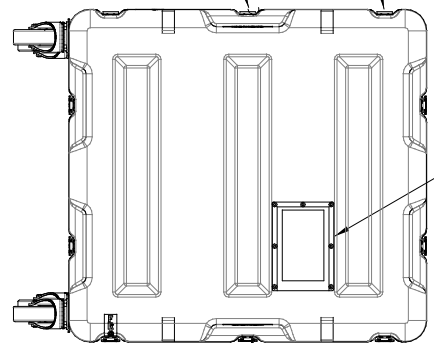


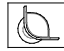



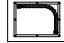
9 8 7 6 5 4 3 2 1

E
D
C
B
A

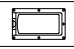


ON ALL-CATCH CONTAINER LOCATE SECOND LOCKING DEVICE HERE



Additional Options Available

- Edge Casters 
- Casters, Left-Side, Removeable 
- Casters, Bottom Removeable (on Long plate) 
- Lid Door 
- Pouch 22" x 16" 

Alternative Options Available


- Sm. Card Holder 3 x 5 
- Padlock Hasp 
- Lg. Metal Handle 

NOTE:
This drawing represents Hardigg's standard hardware and markings placed in standard locations. Alternate configurable options are available upon request. If custom options or locations are required, Hardigg must quote separately.

This drawing and all copies and the design and data shown are the property of HARDIGG INDUSTRIES, INC. So. Deerfield, MA U.S.A. and include proprietary information. The borrower by receipt or retention of the drawing agrees that, except as expressly authorized in writing by HARDIGG INDUSTRIES, INC. it will (1) not use the drawing or any copy of the design or data shown (2) not reproduce, copy, except, exhibit or distribute the drawing or any copy for use by others and (3) upon demand return the drawing, all copies and all material copies therefrom.

CONFIGURABLE OPTIONS SHOWN IN STANDARD LOCATIONS

DIMENSIONS (REFERENCE ONLY)	INSIDE		OUTSIDE	
	INCH	MM	INCH	MM
LENGTH (LEFT TO RIGHT)	26.00	660	29.00	736
WIDTH (FRONT TO BACK)	24.12	612	27.00	685
HEIGHT	30.04	763	34.37	872
BASE HEIGHT	26.67	677	WEIGHT	
LID HEIGHT	3.37	86	LBS.	Kg.

HARDIGG  **HARDIGG® CASES**
A Division of HARDIGG® INDUSTRIES, INC.
South Deerfield, Massachusetts 01373 USA

TITLE: CONFIGURABLE CASE CAGE CODE: 11214
 DWG NO.: AL2624-2703 REV.: -
 DR.: THIBODEAU DATE: 02JAN04 SCALE: N/A SHEET 1 OF 1