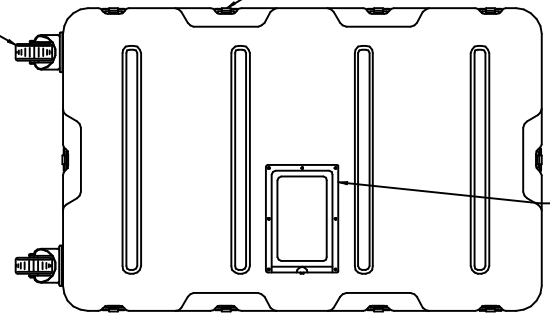


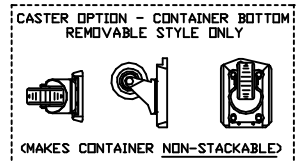
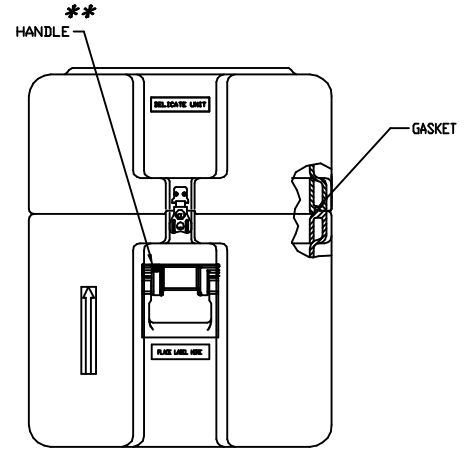
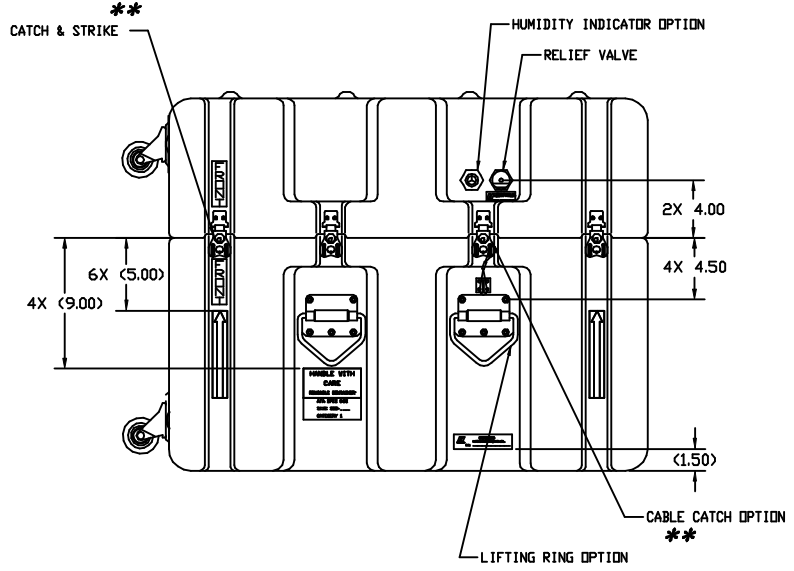
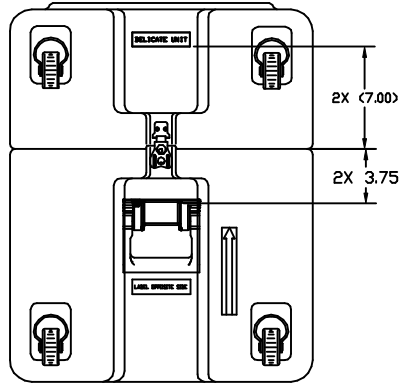
LOCATE 2ND LOCKING DEVICE HERE



DIMENSIONS (FOR REFERENCE ONLY)	INCH	MM
OVERALL LENGTH (LEFT TO RIGHT)	32.75	831.9
OVERALL WIDTH (FRONT TO BACK)	20.87	530.1
OVERALL HEIGHT	25.93	658.6
INSIDE LENGTH (LEFT TO RIGHT)	29.75	755.7
INSIDE WIDTH (FRONT TO BACK)	17.87	453.9
INSIDE HEIGHT	24.12	612.6
INSIDE BASE HEIGHT	14.87	377.7
INSIDE LID HEIGHT	9.25	235

** ALTERNATIVE HARDWARE IS
AVAILABLE FOR "**" ITEMS.

**
CARD HOLDER OPTION



NOTE:
THIS DRAWING REPRESENTS HARDIGG'S STANDARD CASE OPTIONS,
LOCATED IN STANDARD LOCATIONS. IF ALTERNATIVE OPTIONS OR
LOCATIONS ARE REQUIRED, HARDIGG MUST QUOTE SEPARATELY.

HARDIGG INDUSTRIES, INC. <small>800/301-1509 301-467-7770</small>		<small>THIS DRAWING AND ALL COPIES AND THE DESIGN AND DATA SHOWN ARE THE PROPERTY OF HARDIGG INDUSTRIES, INC., 301 BEECHFIELD, MA U.S.A. AND INCLUDE PROPRIETARY INFORMATION. THE PURCHASER BY RECEIPT OR RETENTION OF THE DRAWING AGREES THAT, EXCEPT AS EXPRESSLY AUTHORIZED IN WRITING BY HARDIGG INDUSTRIES, INC., IT WILL (1) NOT USE THE DRAWING OR ANY COPY OF THE DESIGN OR DATA SHOWN (2) NOT REPRODUCE, COPY, EXCEPT, EXHIBIT OR DISTRIBUTE THE DRAWING OR ANY COPY FOR USE BY OTHERS AND (3) UPON DEMAND RETURN THE DRAWING AND ALL COPIES AND MATERIAL COPIED THEREFROM.</small>
TITLE STANDARD CONFIGURABLE CASE		
CAGE 11214	INS. NO. 3018-1509	
REV. B	DRAWN BY: C. LABRE	DATE 12/15/98
		SHEET 1 OF 1

3018-1509