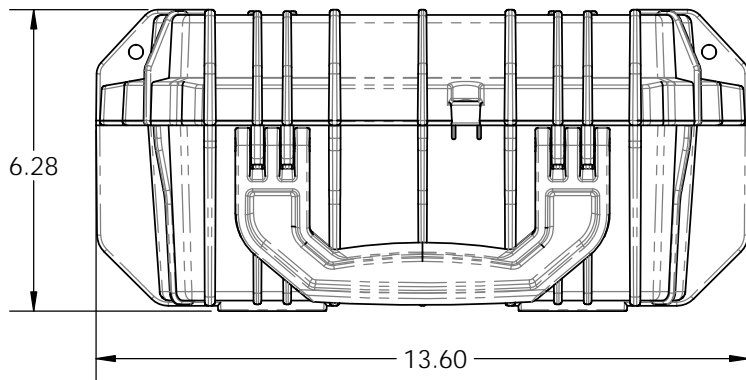


SECTION A-A  
SCALE 1 : 4



**NOTES:**

- 1) Max. usable inside dimensions are:  
11.22" X 8.26" X 5.65" (5.15" top of boss)  
dim. are approx.
- 2) Bosses on bottom use a 1/4  
self tapping screw.
- 3) Dimensions to bottom of panel flange