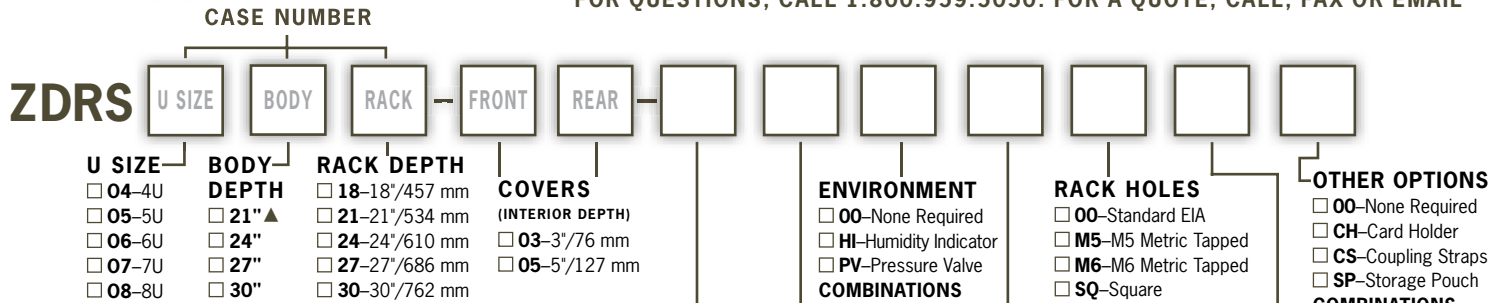


NEW! ZERO'S SCOUT SERIES A LIGHTER 19" RACKMOUNT CASE WITH SHOCK MOUNTS AND DOUBLE ENTRY

BUYERS GUIDE AND PART NUMBER BUILDER

SELECT CASE SIZES AND OPTIONS. CUSTOM PARTS & BUILDS ARE AVAILABLE FOR QUESTIONS, CALL 1.800.959.5050. FOR A QUOTE, CALL, FAX OR EMAIL



THE ZERO SCOUT™ RACKMOUNT CASE

is a lighter rotomolded, double entry case designed and engineered to provide complete protection for the most sensitive E.I.A 19" rackmountable equipment and instrumentation.

SCOUT 19" Rackmount cases meet the rigors of virtually all conditions including extreme altitude, rain, sleet, snow, sand, dust and temperatures.

- Strong, yet lighter polyethylene construction
- Shock-Mounted 19" Rack
- Flexibility—customize to needs
- Portable, stackable, versatile
- Variety of standard and custom finishes and color

COLORS

- BK-Black 27040
- DB-Dark Blue 25102
- DS-Desert Sand 20372
- FG-Forest Green 24052
- GR-Gray 26270
- MR-Maroon PMS 202
- MB-Medium Blue 25190
- NA-Natural
- NG-NATO Green RAL6014
- OD-Olive Drab 24097
- OR-Orange 21400
- RD-Red 21105
- WH-White 27925
- YW-Yellow 23785

FED-STD-595 for reference.

SHOCK MOUNTS (EQUIPMENT WEIGHT)

- 01-20 to 49 lbs▲ (9.1 to 22.2 kg)
 - 02-50 to 80 lbs (22.7 to 36.3 kg)
- Call for loads over 80 lbs.

Standard Equipment Load Ranges

SCOUT™ RACKFRAME LOAD RANGES

Shock Mounts Per System	Load Ranges (lbs/kg) For Equipment Installed in Rack
8 ea	20 to 49 lbs / 9.1 to 22.2 kg
8 ea	50 to 80 lbs / 22.7 to 36.3 kg

HARDWARE

- 00-Standard Zinc
- BH-Black
- SS-Stainless Steel
- LL-Locking Hasps⓪

COMBINATIONS

- BL-Black & LL⓪
- LS-Stainless Steel & LL⓪

SHELVES/DRAWERS

- 00-None Required
- EA-Equipment Angles
- FS-Fixed Shelf
- IR-Intermediate Rails
- KT-Keyboard Tray
- RS-Rack Slides
- SD-Sliding Drawer
- SF-Sliding Shelf

Call for custom sizes, colors and specific requirements.

1-888-880-7728



Lifting Rings: Verify the application does not exceed the load carrying capacity of the lifting rings or case.

Stacking: Verify weight and support.
Shock Mounts: E

NOTES:

- Quick-Ship not available for Scout Rack Mount cases.
- ⓪ Watertight Option not available with Locking Hasps.
- ▲ Select #01 Shock Mounts for 21" Case Body.



TO LEARN MORE ABOUT ZERO'S SCOUT™ RACKMOUNT CASES VISIT WWW.SIERRACASES.COM

NEW! LIGHTER 19" SHOCK-MOUNT RACK

SCOUT™ 4U-6U

TO ORDER RACKMOUNTS, PLEASE USE THE SCOUT PART NUMBER BUILDER, SELECT CASE SIZE AND OPTION

WWW.SIERRACASES.COM

SCOUT

- Field portable for sensitive electronic instruments
- Military applications, monitoring equipment
- Seismic, pollution control instrumentation
- Test equipment
- Telecommunications test equipment
- Airport, flight guidance systems
- Field computer systems
- Field communications systems



©2011 ZERO MANUFACTURING INC., ZERO CASES (UK) LTD. ALL RIGHTS RESERVED. ZERO reserves the right to modify product specifications, features and information. Technical information is known to be correct at the time of publication.

EIA UNITS in/mm A	BODY DEPTH in/mm B	RACK DEPTH in/mm C	COVER HEIGHT in/mm D + E	CASE HEIGHT in/mm F	VOLUME cubic ft/m	WEIGHT lb/kg	SWAY + / -	ZERO PART #
4U 7.12" (181 mm)	21/534	18/457	9/229	16.00/406	7.7/.22	45/22.4		ZDRS042118-0303
			11/279		7.9/.22	46/22.8	ZDRS042118-0305	
			13/330		8.4/.24	48/23.7	ZDRS042118-0505	
		21/534	9/229		7.7/.22	45/22.4	ZDRS042121-0303	
			11/279		7.9/.22	46/22.8	ZDRS042121-0305	
			13/330		8.4/.24	48/23.7	ZDRS042121-0505	
	24/610	21/534	9/229	16.00/406	8.4/.24	46/20.9		ZDRS042421-0303
			11/279		8.7/.25	47/21.3	ZDRS042421-0305	
			13/330		9.2/.26	49/22.2	ZDRS042421-0505	
		24/610	9/229		8.4/.24	46/20.9	ZDRS042424-0303	
			11/279		8.7/.25	47/21.3	ZDRS042424-0305	
			13/330		9.2/.26	49/22.2	ZDRS042424-0505	
	27/686	24/610	9/229	16.00/406	9.1/.26	48/21.8		ZDRS042724-0303
			11/279		9.5/.27	49/22.2	ZDRS042724-0305	
			13/330		10.0/.28	51/23.1	ZDRS042724-0505	
		27/686	9/229		9.1/.26	48/21.8	ZDRS042727-0303	
			11/279		9.5/.27	49/22.2	ZDRS042727-0305	
			13/330		10.0/.28	51/23.1	ZDRS042727-0505	
	30/762	27/686	9/229	16.00/406	9.8/.28	51/23.1		ZDRS043027-0303
			11/279		10.3/.29	52/23.6	ZDRS043027-0305	
			13/330		10.8/.31	54/24.5	ZDRS043027-0505	
		30/762	9/229		9.8/.28	51/23.1	ZDRS043030-0303	
			11/279		10.3/.29	52/23.6	ZDRS043030-0305	
			13/330		10.8/.31	54/24.5	ZDRS043030-0505	
5U 8.87" (225 mm)	21/534	18/457	9/229	17.75/451	7.7/.22	52/21.7		ZDRS052118-0303
			11/279		9.0/.25	53/22.2	ZDRS052118-0305	
			13/330		9.3/.26	54/23.1	ZDRS052118-0505	
		21/534	9/229		7.7/.22	54/23.1	ZDRS052121-0303	
			11/279		9.0/.25	55/23.6	ZDRS052121-0305	
			13/330		9.3/.26	56/24.5	ZDRS052121-0505	
	24/610	21/534	9/229	17.75/451	8.7/.25	56/25.4		ZDRS052421-0303
			11/279		9.8/.28	57/25.9	ZDRS052421-0305	
			13/330		10.2/.29	58/26.3	ZDRS052421-0505	
		24/610	9/229		8.7/.25	52/23.6	ZDRS052424-0303	
			11/279		9.8/.28	53/24.0	ZDRS052424-0305	
			13/330		10.2/.29	54/24.5	ZDRS052424-0505	
	27/686	24/610	9/229	17.75/451	9.8/.28	58/26.3		ZDRS052724-0303
			11/279		10.6/.30	59/26.8	ZDRS052724-0305	
			13/330		11.1/.31	60/27.2	ZDRS052724-0505	
		27/686	9/229		9.8/.28	58/26.3	ZDRS052727-0303	
			11/279		10.6/.30	59/26.8	ZDRS052727-0305	
			13/330		11.1/.31	60/27.2	ZDRS052727-0505	
	30/762	27/686	9/229	17.75/451	10.9/.31	60/27.2		ZDRS053027-0303
			11/279		11.4/.32	61/27.7	ZDRS053027-0305	
			13/330		12.0/.34	63/28.6	ZDRS053027-0505	
		30/762	9/229		10.9/.31	60/27.2	ZDRS053030-0303	
			11/279		11.4/.32	61/27.7	ZDRS053030-0305	
			13/330		12.0/.34	63/28.6	ZDRS053030-0505	
6U 10.63" (270 mm)	24/610	21/534	9/229	17.75/451	9.9/.28	52/23.6	+/-	ZDRS062421-0303
			11/279		10.3/.29	53/24.0	+/-	ZDRS062421-0305
			13/330		11.1/.31	54/24.5	+/-	ZDRS062421-0505
		24/610	9/229		9.9/.28	52/23.6	+/-	ZDRS062424-0303
			11/279		10.3/.29	53/24.0	+/-	ZDRS062424-0305
			13/330		11.1/.31	54/24.5	+/-	ZDRS062424-0505
	27/686	24/610	9/229	17.75/451	10.8/.31	54/24.5	+/-	ZDRS062724-0303
			11/279		11.3/.32	55/24.9	+/-	ZDRS062724-0305
			13/330		12.0/.34	56/25.4	+/-	ZDRS062724-0505
		27/686	9/229		10.8/.31	54/24.5	+/-	ZDRS062727-0303
			11/279		11.3/.32	55/24.9	+/-	ZDRS062727-0305
			13/330		12.0/.34	56/25.4	+/-	ZDRS062727-0505
	30/762	27/686	9/229	17.75/451	11.7/.33	56/25.4	+/-	ZDRS063027-0303
			11/279		12.3/.35	57/25.9	+/-	ZDRS063027-0305
			13/330		12.9/.37	59/26.8	+/-	ZDRS063027-0505
		30/762	9/229		11.7/.33	56/25.4	+/-	ZDRS063030-0303
			11/279		12.3/.35	57/25.9	+/-	ZDRS063030-0305
			13/330		12.9/.37	59/26.8	+/-	ZDRS063030-0505

REQUESTING A QUOTE AND/OR PLACING AN ORDER

CONTACT SIERRA CASES:

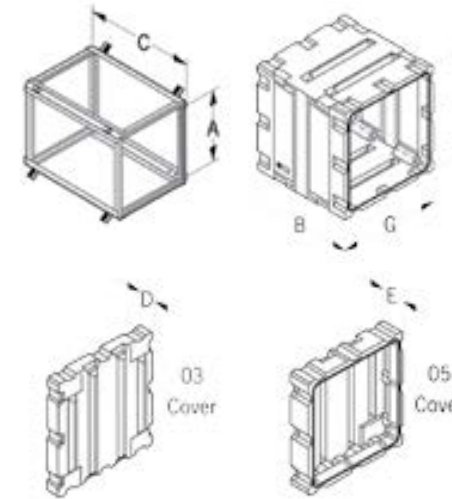
888-880-7728 • SIERRACASES.COM

NEW! LIGHTER 19" SHOCK-MOUNT RACK

SCOUT™ 7U-8U

TO ORDER RACKMOUNTS, PLEASE USE THE SCOUT PART NUMBER BUILDER, SELECT CASE SIZE AND OPTION

WWW.SIERRACASES.COM



Drawing Specifications: Case Width G = 27.25 in (692 mm)
Cover Height (Exterior): 03 = 4.5 in (114.3 mm), 05 = 6.5 in (165.1 mm)
Cover Depth (Interior): 03 = 3.0 in (76.2 mm), 05 = 5.0 in (127 mm)

EIA UNITS in/mm A	BODY DEPTH in/mm B	RACK DEPTH in/mm C	COVER HEIGHT in/mm D + E	CASE HEIGHT in/mm F	VOLUME cubic ft/m	WEIGHT lb/kg	SWAY + / -	ZERO PART #	
7U 12.37" (314 mm)	24/610	21/534	9/229	21.25/540	11.0/.31	52/23.6		ZDRS072421-0303	
			11/279		11.7/.33	53/24.0	ZDRS072421-0305		
			13/330		12.4/.35	55/24.9	ZDRS072421-0505		
		24/610	9/229		11.0/.31	52/23.6	ZDRS072424-0303		
			11/279		11.7/.33	53/24.0	ZDRS072424-0305		
			13/330		12.4/.35	55/24.9	ZDRS072424-0505		
	27/686	24/610	9/229	21.25/540	12.0/.34	55/24.9		ZDRS072724-0303	
			11/279		12.7/.36	56/25.4	ZDRS072724-0305		
			13/330		13.4/.38	58/26.3	ZDRS072724-0505		
		27/686	9/229		12.0/.34	55/24.9	ZDRS072727-0303		
			11/279		12.7/.36	56/25.4	ZDRS072727-0305		
			13/330		13.4/.38	58/26.3	ZDRS072727-0505		
	30/762	27/686	9/229	21.25/540	13.0/.37	57/25.9		ZDRS073027-0303	
			11/279		13.7/.39	58/26.3	ZDRS073027-0305		
			13/330		14.4/.41	60/27.2	ZDRS073027-0505		
		30/762	9/229		13.0/.37	57/25.9	ZDRS073030-0303		
			11/279		13.7/.39	58/26.3	ZDRS073030-0305		
			13/330		14.4/.41	60/27.2	ZDRS073030-0505		
	8U 14.12" (358 mm)	24/610	21/534	9/229	21.25/540	11.9/.34	58/26.3	+/-	ZDRS082421-0303
				11/279		12.6/.36	59/26.8	+/-	ZDRS082421-0305
				13/330		13.4/.38	61/27.7	+/-	ZDRS082421-0505
			24/610	9/229		11.9/.34	58/26.3	+/-	ZDRS082424-0303
				11/279		12.6/.36	59/26.8	+/-	ZDRS082424-0305
				13/330		13.4/.38	61/27.7	+/-	ZDRS082424-0505
27/686		24/610	9/229	21.25/540	13.0/.37	60/27.2	+/-	ZDRS082724-0303	
			11/279		13.7/.39	61/27.7	+/-	ZDRS082724-0305	
			13/330		14.5/.41	63/28.6	+/-	ZDRS082724-0505	
		27/686	9/229		13.0/.37	60/27.2	+/-	ZDRS082727-0303	
			11/279		13.7/.39	61/27.7	+/-	ZDRS082727-0305	
			13/330		14.5/.41	63/28.6	+/-	ZDRS082727-0505	
30/762	27/686	9/229	21.25/540	14.1/.40	62/28.1	+/-	ZDRS083027-0303		
		11/279		14.8/.42	63/28.6	+/-	ZDRS083027-0305		
		13/330		15.6/.44	65/29.5	+/-	ZDRS083027-0505		
	30/762	9/229		14.1/.40	62/28.1	+/-	ZDRS083030-0303		
		11/279		14.8/.42	63/28.6	+/-	ZDRS083030-0305		
		13/330		15.6/.44	65/29.5	+/-	ZDRS083030-0505		

Includes a Shock Mount 19" Rack. +/- = Sway space to be increased or decreased dependent on selection.
Standard load range: 20-80 lbs (9.1-36.3 kg). All weights are approximate.
ZERO reserves the right to modify product specifications, features and information. Technical information is known to be correct at the time of publication.

SCOUT

- Rack or Frames provide a precise platform for all 19" rackmountable equipment and systems. The unique rack frame is a lightweight, high-strength design with proven performance durability. All aluminum cross members are anchored into each corner with high-strength stainless steel hardware. (International hole pattern also available).
- Outer Case Shells are a lighter, rotationally molded virgin polyethylene. The case shells are formulated with high tensile strength to assure the absolute highest degree of protection.
- Exceptionally durable, it is resistant to virtually all industrial chemicals, solvents and acids.
- Ruggedized aluminum vertical stiffeners are anchored to the inner case gussets to offer heavy duty support when cases are in the stacked configuration.
- Vertical mounting rails are formed of high strength steel. #10-32 tapped holes for installations of instruments and accessories.
- Lid Hangers are standard on SCOUT cases and provide a convenient location for lid storage.
- 90 Degree Corner-Locks on all lids provide the ultimate standard of security when lids are closed and latched. By placing the locks in the corners, it offers maximum protection of your equipment during rough handling or drops on any corner, in any direction.
- Elastomeric Shock Mounts with sufficient sway space provide the ultimate in shock protection. Rack cooling and air circulating is facilitated by the overall case and low profile rack design. Shock mounts are selected based on equipment weight.

REQUESTING A QUOTE AND/OR PLACING AN ORDER

CONTACT SIERRA CASES:

888-880-7728 • SIERRACASES.COM

ZERO KNOWS

19" RACKMOUNT CASES



ZERO KNOWS THAT RELIABILITY IS KEY WHEN TRANSPORTING ELECTRONICS, but that you need more than that—you need protection that meets your specifications and reliability to withstand extreme conditions. Rackmount cases are quality tested and stand up to the harshest temperatures from extremely hot, to freezing cold, from full immersion in water to humidity extremes—we have the reliability, quality and protection you need.

Key Features & Benefits:

- Shock-mounted, hard-mounted and removable rack configurations
- Flexibility to build to custom needs
- Portable, stackable and rugged
- Optional EMI/RFI shielding available
- Select from plastic or aluminum exterior cases
- Strong aluminum and steel rack construction
- Variety of standard finishes and colors available



WARRIOR™

The ZERO Warrior™ Rackmount case is a rotomolded, double-entry case designed and engineered to provide complete protection for the most sensitive E.I.A 19" rackmountable equipment and instrumentation. Your equipment is assured of security and protection both inside and out.

VAL-AN 700 AND 750 SERIES

Val-An stands for "Value-Analyzed" for weight, performance and protection. The Val-An 700 and Val-An 750 shock-mounted aluminum rackmount cases offer reduced-sway space while maintaining ultimate protection of 19" electronic equipment. Engineered to satisfy requirements for rack-mounted enclosures, Val-An cases are perfect for the transportation and operating of delicate field instrumentation, and designed to be stacked and accessible from the front or back. Another feature is it's lighter weight by design. The engineering and manufacturing is exclusive for each series: Val-An 700 in ZERO's UK facility; Val-An 750 in ZERO's US facility.



VAL-AN 900 SERIES

This versatile line of rugged aluminum cases feature an internal chassis, which is either hard-mounted or shock-mounted within the center section of the case. Installation of rack-mounted equipment is quick and easy, with total accessibility from the front and rear. In transit or storage, instrument panels are latched to the case. Front and rear covers with specially designed T-Handle latches, allows accessibility to instruments and contents while in the stacked mode.

ZERO CAN MEET YOUR NEEDS with one of our standard products, or through a specialized custom design, so no matter your use, application or device we have solution that will keep your sensitive electronics equipment stable, and protected.